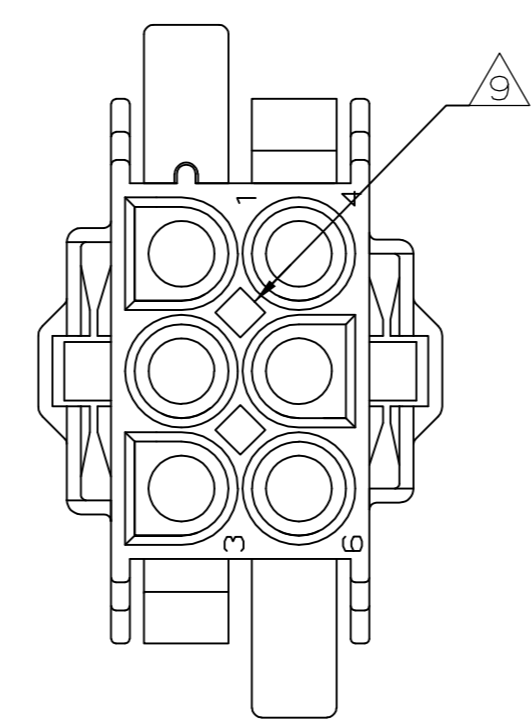
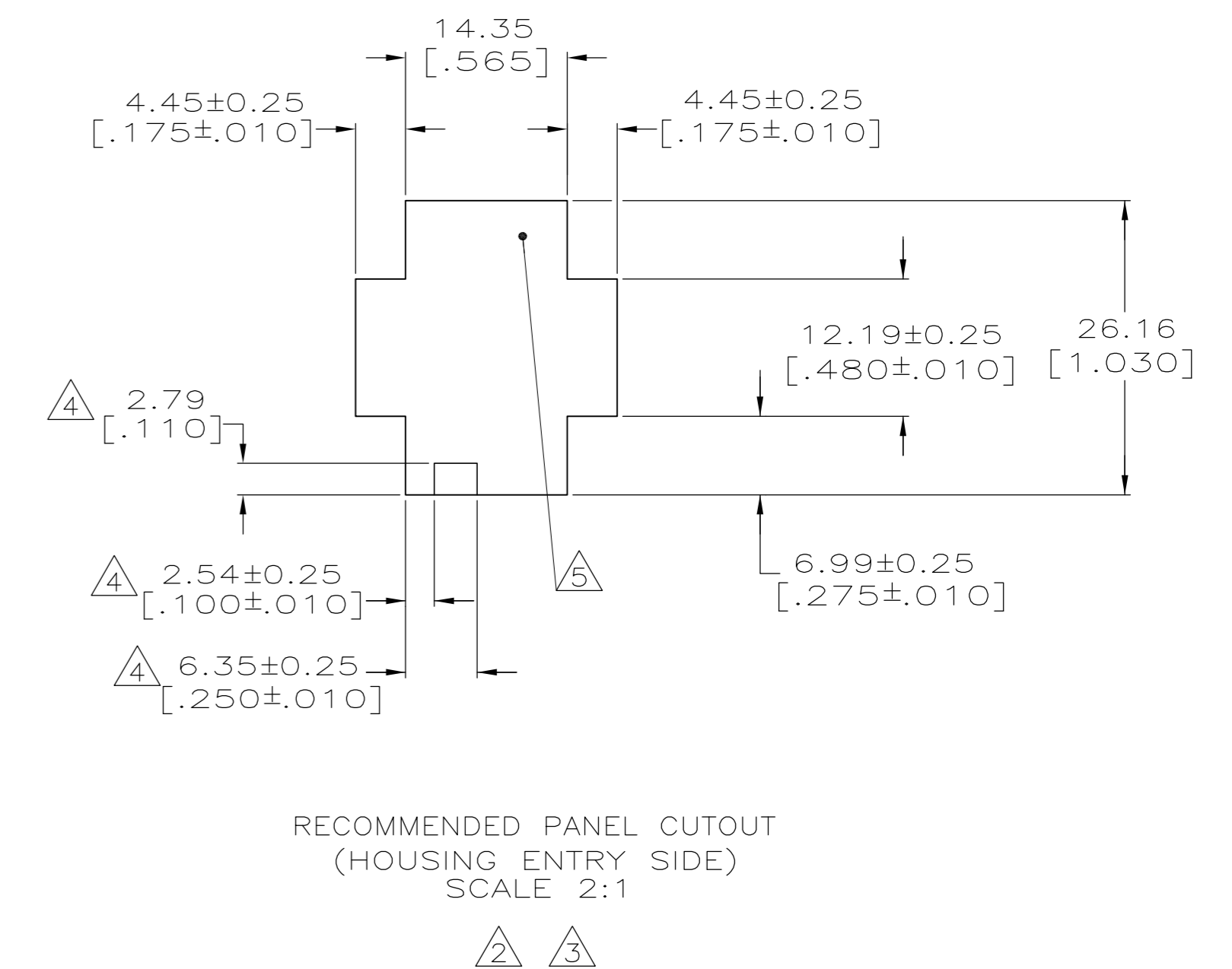
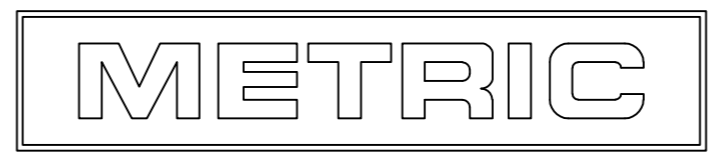


1. BULK PACKAGED, UNASSEMBLED.
- △2 RECOMMENDED PANEL THICKNESS 0.76-2.29 [.030-.090].
- △3 PANEL MUST BE PUNCHED SO THAT THE HOUSING ENTERS THE PANEL IN THE SAME DIRECTION AS THE PUNCH.
- △4 OPTIONAL FOR KEYING HOUSING IN PANEL.
- △5 CIRCUIT NO. 1 LOCATON.
- △6 APPROVAL AGENCY LOGO LOCATED APPROXIMATELY AS SHOWN.
- △7 AMP LOGO LOCATED THIS SURFACE.
- △8 CIRCUIT NUMBER ONE IDENTIFICATION BUTTON AND CIRCUIT IDENTIFICATION NUMBERS ARE EACH LOCATED ADJACENT TO THE APPROPRIATE CIRCUIT CAVITIES.
- △9 OPTIONAL CONSTRUCTION PROVIDES ROUND MATERIAL REDUCTION CORING HOLES.
- △10 DIMENSION INDICATED IS AS MOLDED. ADDITIONAL GROWTH DUE TO SUBSEQUENT MOISTURE ABSORPTION MAY OCCUR.



VIEW A-A
SCALE 2:1



770027-1
PART NUMBER

THIS DRAWING IS A CONTROLLED DOCUMENT.		DWN K. SALMON 1-22-92	TE Connectivity
DIMENSIONS: INCHES		CHK R. SWING 1-22-92	
TOLERANCES UNLESS OTHERWISE SPECIFIED:		APVD M. TRULL 1-22-92	NAME CAP HOUSING KIT, 6 CIRCUIT, UNIVERSAL MATE-N-LOK™ II
0. PLC ± -	1. PLC ± -	APPLICATION SPEC	SIZE A1
2. PLC ± -	3. PLC ± 0.13 [.005]	WEIGHT	CAGE CODE 00779
4. PLC ± -	ANGLES ± -	RESTRICTED TO	DRAWING NO. 770027
MATERIAL NYLON,UL94V-0,	FINISH	CUSTOMER DRAWING	SCALE 5:1
		SHEET 1 of 1	REV G1